

TOTO

Washlet S2

TCF3F460ECN#W
TCF3F260ECN#W



Heated
Seat



Warm
Air
Drying



Deodorizer



Premist



Ewater+
For
Wand

※TCF3F260ECN is no such function

FEATURES

- Brand new slim design with small-sized control panel. The seat cover is integral and seamless.
- Premist technique applied, prevents dirt attached.
- Ewater+ technology keeps nozzle always clean.

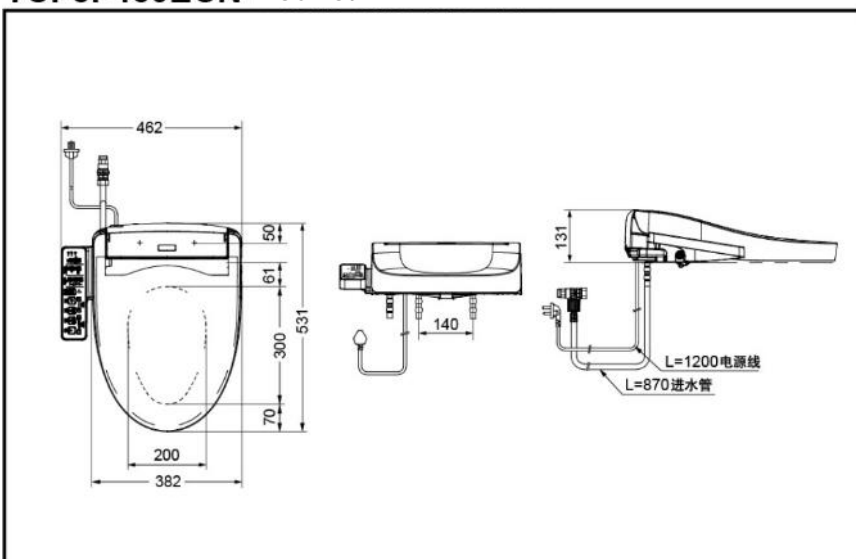
SPECIFICS

Size: 532x462x131mm
Water Efficiency: Grade2
Water Inlet Requirement: 0.05MPa(Dynamic Pressure)~0.75MPa(Static Pressure)
Power Source: 220V(50Hz)
Power: 816W
Max Power: 1413W
Water Heating Mode: Instant
Control: Control Panel

OTHERS

Recommend fittings:
Suitable for most TOTO toilets.
Toilet installation kit:
D106A; D104N.

TCF3F260ECN TCF3F460ECN Washlet



TOTO(CHINA) CO.,LTD. All rights reserved.
TOTO(CHINA) CO.,LTD. www.toto.com.cn