

### PRODUCT SPECIFICATIONS

The flagship intelligent toilet of the Neorest series has a 360° seamless arc design without dead angles, containing a sense of healing, exuding vitality, showing an elegant sense of tolerance, two levels of flushing water volume (3.8/3L), the toilet adopts nano anti-fouling glaze, and the new electrolyzed water sterilization technology keeps the inner wall of the toilet and the bottom of the toilet circle clean, and the automatic induction opening and closing cover and flushing function are convenient and hygienic.



### FEATURES

- CEFIONTECT® ceramic glaze minimizes waste from sticking to porous ceramic surfaces.
- EWATER+® auto-cleans wand, bowl, and under-seat.
- PREMIST® on bowl before each use.
- Ultra high-efficiency dual flush function - 3.8L/3.0L.
- Gentle Aerated, Warm Water, Dual Action Spray with oscillating and pulsating feature.
- Auto lid open/close.
- Auto flush.
- Automatic air deodorizer.
- Heated Seat with Temperature Control.
- Warm Air Dryer function.
- Adjustable spray position.
- Programmable energy saver system.
- Multifunctional horizontal remote control.
- Energy save timer.
- Smooth seam seat design eliminates the gap under the seat.



### COMPONENTS

- **CS902 V3#NW1** 305mmPit spacing
- **CS902 V4#NW1** 400mmPit spacing

### COLORS

- Silver (remote control, Body display part)

### TECHNOLOGY & INNOVATION HIGHLIGHTS

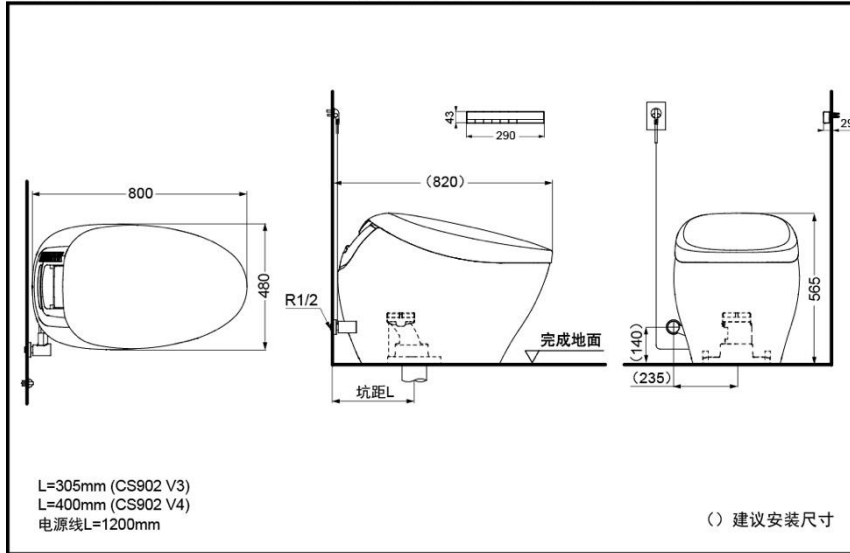
- |                        |                     |
|------------------------|---------------------|
| EWATER+ for WAND       | CEFIONTECT          |
| EWATER+ for BOWL       | TORNADO FLUSH       |
| EWATER+ for UNDER SEAT | RIMLESS             |
| AIR-IN WONDER-WAVE     | WATER SAVING        |
| WARM AIR DRYING        | AUTO OPEN/CLOSE LID |
| HEATED SEAT            | AUTO FLUSH          |
| DEODORIZER             | PREMIST             |

### CODES/STANDARDS

•Please refer to the label for product standards.

### DIMENSIONAL DRAWINGS

CS902 V3/CS902 V4 NEOREST One-piece Toilet



TOTO(CHINA) CO.,LTD. All rights reserved.

### SPECIFICATIONS

CS902 V3 CS902 V4	
额定电源	AC220V.50Hz
额定功率	840W
最大功率	1452W<进水温度0° C时>
温水加热方式	瞬间式
电源线长度	1.2m
防水保护等级	IPX4
水效等级	2级
进水压力	最低必要水压: 0.05MPa<流动时>
	最高水压: 0.75MPa<静止时>
进水温度	0-35° C
使用温度	0-40° C
产品尺寸	宽480mm×长800mm×高565mm
产品重量	约62kg

便器部		
坐便器	冲洗水量	大3.8L, 小3.0L
	名义冲水量	3.3L
	进水方式	管道直压与内置水箱储水混合式
	冲洗方式	喷射虹吸式
	尺寸	加长型

机能部		
洗净装置	喷水量	臀部洗净: 0.32-0.43L/min
		臀部轻柔洗净: 0.32-0.43L/min
		下身洗净: 0.29-0.43L/min
		下身护理洗净: 0.35-0.43L/min
	水势调节	5档
	吐水温度	温度调节范围: 关, 约30-40° C
加热便座	加热器功率	1200W
	安全装置	温度保险丝
	防逆流装置	真空开关, 止回阀
除臭装置	方式	温度调节范围: 关, 约28-36° C
		超级自动节电时: 关
	风量	标准模式: 约0.09m³/min 强力模式: 约0.16m³/min
温风干燥	功率(耗电量)	标准模式: 约1.6W 强力模式: 约4.0W
	温风温度	温度调节范围: 约35-60° C
	风量	约0.25m³/min
	加热器功率	261W
	安全装置	温度保险丝